

Lutz Double Diaphragm Pumps

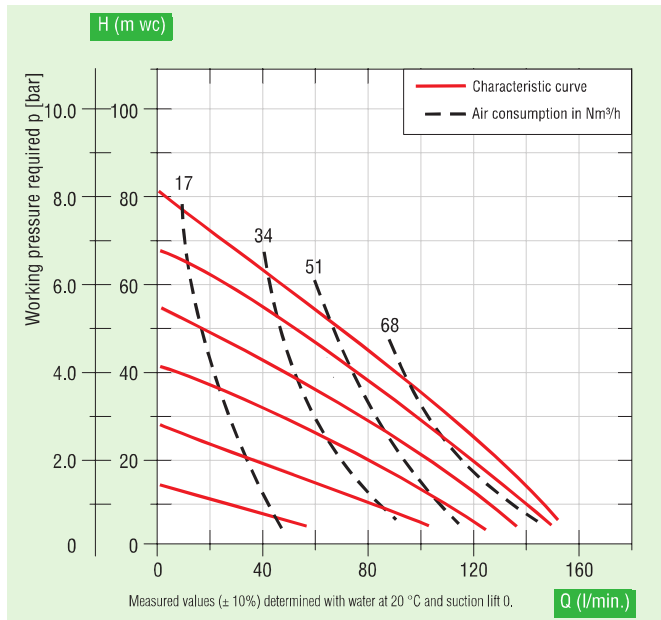
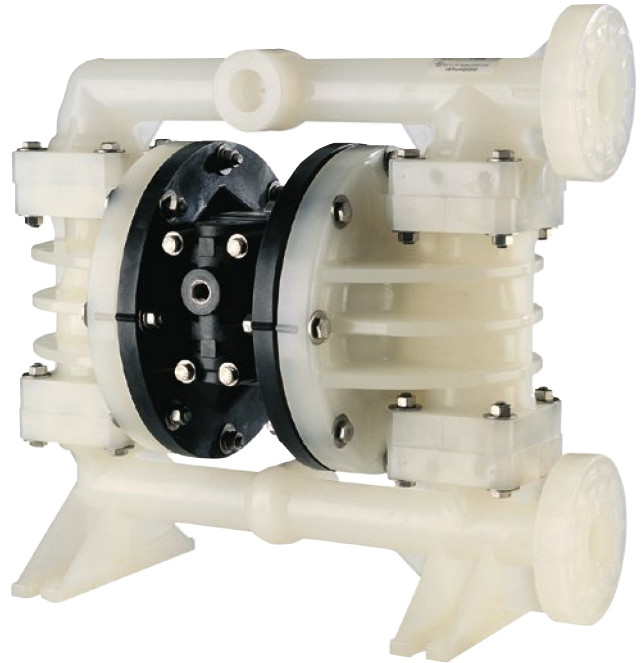
Model 1" Bolted Version (non metallic)

Typical application:

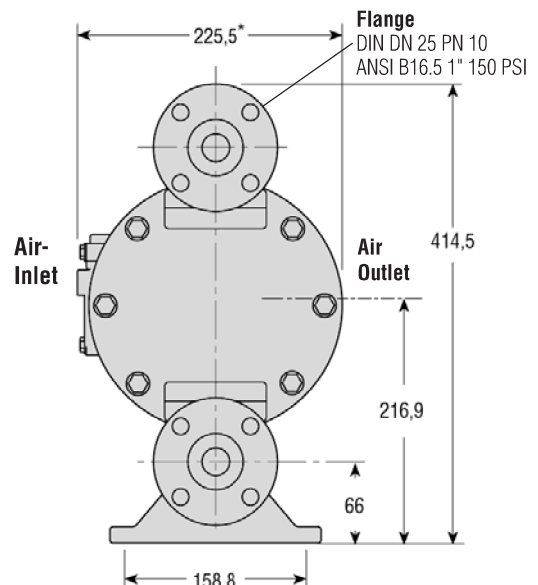
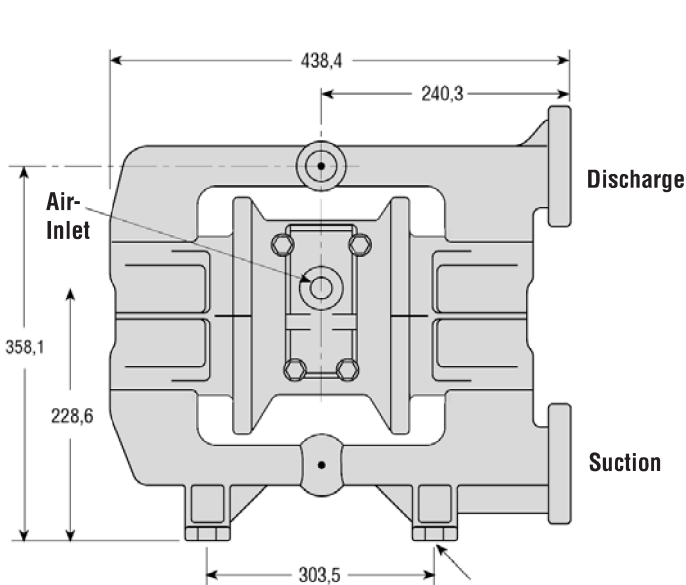
Drum and small tank transfer, pickling solutions, chemical feed



Max-Pass™ compatible
(Details see page 203)



 Suitable range of accessories see pages 192 - 203.



*Approximate Dimension with Muffler (272.5)

Individual datasheets on request.
Dimensions in mm

Lutz Double Diaphragm Pumps

Model 1" Bolted Version (non metallic)

Operating data / Dimensions / Weights		
	DMP 1" PP	DMP 1" Kynar®
Housing material:	Polypropylene	Kynar®
Diaphragm materials:	Geolast®, Santoprene®, Teflon®, Viton®	Teflon®, Santoprene®, Viton®
Valve ball materials:	Geolast®, Santoprene®, Teflon®, Viton®	Teflon®, Viton®
Seals:	Geolast®, Santoprene®, Teflon®, Viton®	Teflon®, Viton®
Valve seat:	PP	Kynar®
Flow rate:	156 l/min.	156 l/min.
Volume per stroke:	314 cm ³	314 cm ³
Suction lift with Max-Pass Valve™:	5.5 m	5.5 m
Suction lift dry:	4.5 m	4.5 m
Suction lift Teflon®:	3 m	3 m
Operating pressure:	max. 8 bar	max. 8 bar
Temperature limits:	66 °C	93 °C
Solids handling with Max-Pass Valve™	max. ø 19 mm	max. ø 19 mm
Solids handling:	max. ø 6.4 mm	max. ø 6.4 mm
Air inlet:	1/4" NPT female (1/2" BSP female) ¹⁾	1/4" NPT female (1/2" BSP female) ¹⁾
Air outlet:	3/4" NPT female	3/4" NPT female
Suction:	Flange DIN DN 25 PN 10/ ANSI B16.5 1" 150 PSI	Flange DIN DN 25 PN 10/ ANSI B16.5 1" 150 PSI
Discharge:	Flange DIN DN 25 PN 10/ ANSI B16.5 1" 150 PSI	Flange DIN DN 25 PN 10/ ANSI B16.5 1" 150 PSI
Weight:	9.1 kg	13.7 kg

¹⁾if the air flow control valve is used (not included in the delivery extent – see page 196).

Material description:

Geolast®	= NBR/PP-compound
Kynar®	= PVDF = Polyvinylidenfluoride
Polypropylene	= PP
Santoprene®	= EPDM/PP-compound
Teflon®	= PTFE = Polytetrafluorethylene
Viton®	= FPM = Fluoro Elastomer

Type	Materials of construction		Order No.
	Housing	Diaphragm, Seals	
DMP 1" PPB PP/Geolast®	PP	Geolast®	5702+000
DMP 1" PPB PP/Geolast® (with Max-Pass™)	PP	Geolast®	5702+002
DMP 1" PPE PP/Santoprene®	PP	Santoprene®	5702+100
DMP 1" PPE PP/Santoprene® (with Max-Pass™)	PP	Santoprene®	5702+102
DMP 1" PPT PP/Teflon®	PP	Teflon®	5702+020
DMP 1" PPV PP/Viton®	PP	Viton®	5702+120
DMP 1" PPV PP/Viton® (with Max-Pass™)	PP	Viton®	5702+122
DMP 1" KNT KN/Teflon®	Kynar®	Teflon®	5702+080
DMP 1" KNV KN/Viton®	Kynar®	Viton®	5702+180
DMP 1" KNV KN/Viton® (with Max-Pass™)	Kynar®	Viton®	5702+182

Teflon® is a registered Trademark of DuPont Company. Viton® is a registered Trademark of DuPont Performance Elastomers. Kynar® is a registered Trademark of Pennwalt Corp. Santopren® is a registered Trademark of Monsanto Company. Geolast® is a registered Trademark of Advanced Elastomer Systems.

