

# Lutz Double Diaphragm Pumps

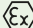
## Model 1/2" Bolted Version (non-metallic)

Operating data / Dimensions / Weights			
	DMP 1/2" PP	DMP 1/2" PVDF	DMP 1/2" PA
Housing material:	Polypropylene	Polyvinyliden fluoride	Polyamide
Diaphragm materials:	TPV (NBR-PP), TPV (EPDM-PP), PTFE, FPM	PTFE	PTFE
Valve material:	TPV (NBR-PP) PV (EPDM-PP), PTFE, FPM,	PTFE	PTFE
Seals:	NBR, EPDM, PTFE, FPM	PTFE	PTFE
Valve seat:	PP	PVDF	PA, SS*
Max. flow rate:	65 l/min.	65 l/min.	65 l/min.
Suction lift dry with Max-Pass™ Valve:	6 m	6 m	6 m
Suction lift dry:	4,5 m	4,5 m	4,5 m
Suction lift (PTFE):	3 m	3 m	3 m
Operating pressure:	max. 8 bar	max. 8 bar	max. 8 bar
Temperature limits:	66 °C	93 °C	66 °C
Solids handling: with Max-Pass Valve™	max. ø 9,5 mm	max. ø 9,5 mm	max. ø 9,5 mm
Solids handling:	max. ø 3,2 mm	max. ø 3,2 mm	max. ø 3,2 mm
Air inlet:	1/4" NPT female (G 1/2 BSP female) <sup>1)</sup>	1/4" NPT female (G 1/2 BSP female) <sup>1)</sup>	1/4" NPT female (G 1/2 BSP female) <sup>1)</sup>
Air outlet:	3/8" NPT female	3/8" NPT female	3/8" NPT female
Suction:	1/2" BSP female	1/2" BSP female	1/2" BSP female
Discharge:	1/2" BSP female	1/2" BSP female	1/2" BSP female
Weight:	4,1 kg	5,4 kg	4,1 kg

<sup>1)</sup>if the air flow control valve is used (not included in the delivery extent – see page 39).

### Material description:

TPV (NBR-PP)	= NBR/PP-Compound
TPV (EPDM-PP)	= EPDM/PP-Compound
PVDF	= Polyvinylidene fluoride
PA	= Polyamide
PP	= Polypropylene
PTFE	= Polytetrafluorethylene
FPM	= Fluor Elastomer

Type	Materials of construction		Order No.
	Housing	Diaphragm, Valve balls, Seals	
DMP 1/2" PPB PP/TPV (NBR-PP)	PP	TPV (NBR-PP), TPV (NBR-PP), NBR	5701+000
DMP 1/2" PPB PP/TPV (NBR-PP) (with Max-Pass™)	PP	TPV (NBR-PP), TPV (NBR-PP), NBR	5701+002
DMP 1/2" PPT PP/PTFE	PP	PTFE, PTFE, PTFE	5701+020
DMP 1/2" PPE PP/TPV (EPDM-PP)	PP	TPV (EPDM-PP), TPV (EPDM-PP), EPDM	5701+100
DMP 1/2" PPE PP/TPV (EPDM-PP) (with Max-Pass™)	PP	TPV (EPDM-PP), TPV (EPDM-PP), EPDM	5701+102
DMP 1/2" PPV PP/FPM	PP	FPM, FPM, FPM	5701+120
DMP 1/2" PPV PP/FPM (with Max-Pass™)	PP	FPM, FPM, FPM	5701+122
DMP 1/2" KNT PVDF/PTFE	PVDF	PTFE, PTFE, PTFE	5701+080
DMP 1/2" NTC PA/PTFE* 	PA	PTFE, PTFE, PTFE	5701+160

\*conductive version Ex II 2 G c T4

<b>Add. price DMP 1/2" PPT PP/PTFE PURE ^</b>	PP	PTFE, PTFE, PTFE	<b>5000-640</b>
<b>Add. price DMP 1/2" KNT PVDF/PTFE PURE ^</b>	PVDF	PTFE, PTFE, PTFE	<b>5000-644</b>

^ Please choose Order-No. basic pump + Order-No. PURE additional price

# Lutz Double Diaphragm Pumps

Model 1/2" Bolted Version (non-metallic)

## Typical application:

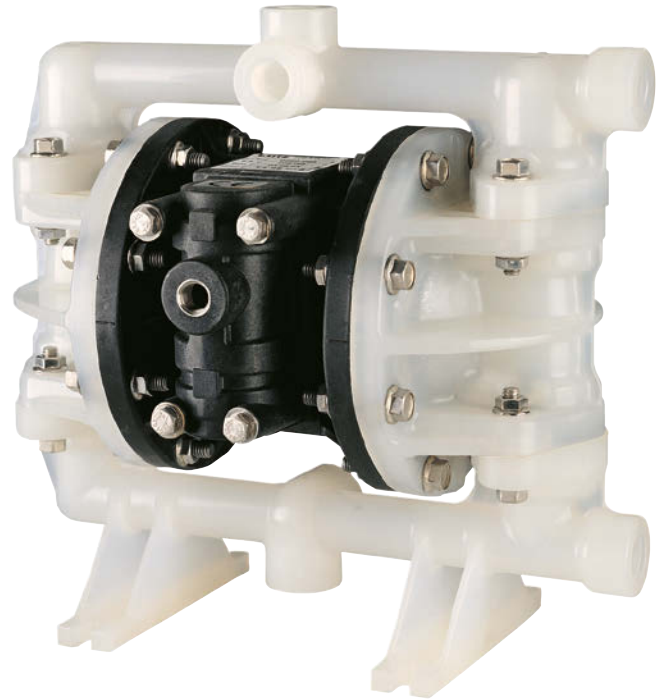
200 l-drum pumping, ink recirculation and feed, chemicals, solvents, acids, soap dispensing



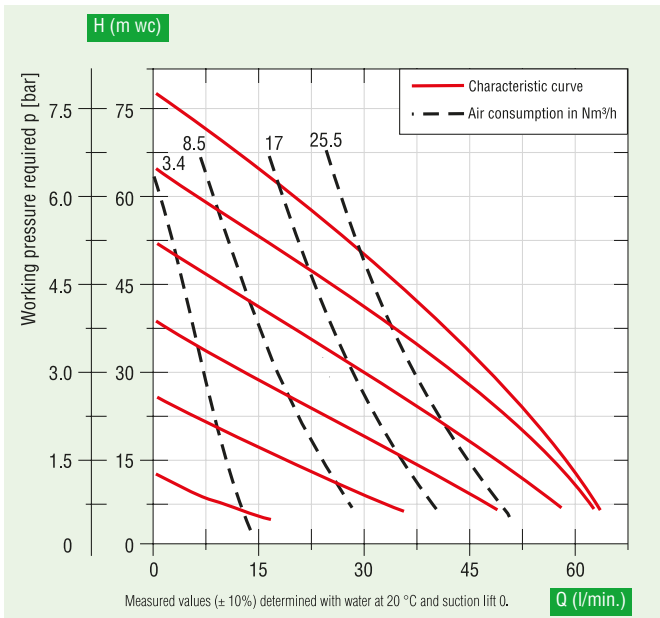
**Max-Pass™ optional**  
(Details see page 47)



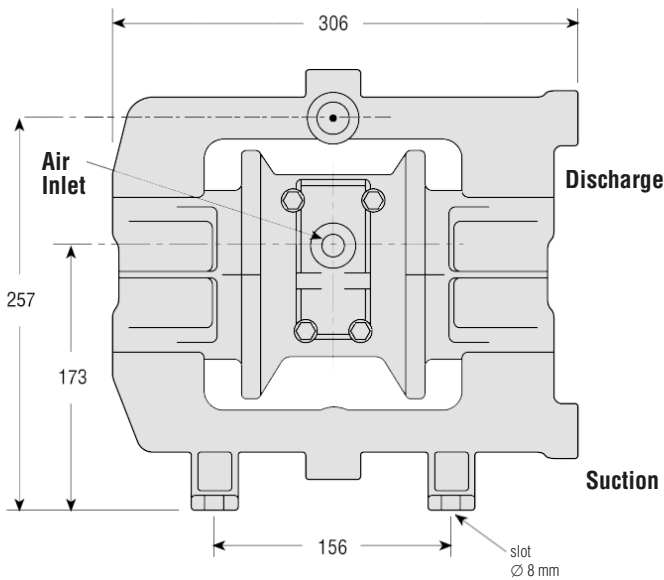
**Version for emptying of drums**  
Additional price Ref. No. 5000-347  
must be added to the chosen pump.



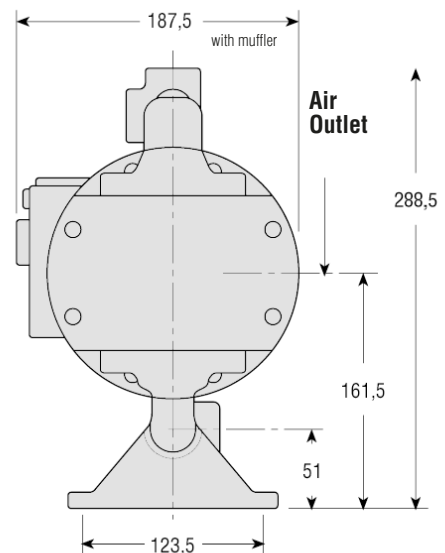
Pump tube also available in PURE version with Tri-Clamp connection. All materials coming into contact with the pumped medium are physiologically safe. The pumps are mainly used in the food-, cosmetics- and pharmaceutical industry.



Suitable range of accessories see pages 34-47.



Front View



Side View

Individual datasheets on request. Dimensions in mm