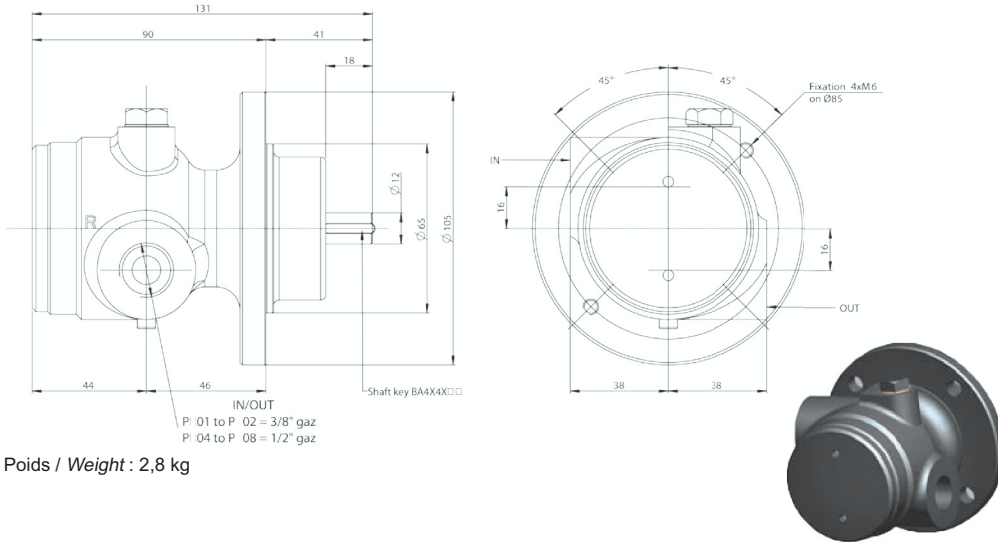


P01 - P02 - P04 - P06 - P08

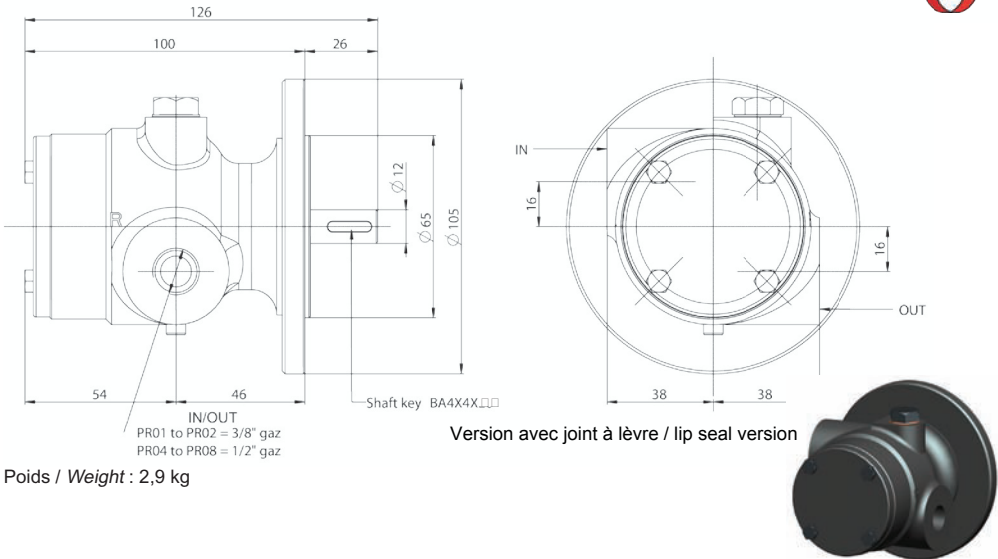


Poids / Weight : 2,8 kg

DONNÉES TECHNIQUES / TECHNICAL DATA

Plage de débit (L/min) Flow range (L/min)	≤ 24
Plage de vitesse (tr/min) Speed rotation range (rpm)	≤ 3000*
Plage de viscosité (cSt) Fluid viscosity range (cSt)	1 – 10000*
Capacité d'aspiration (Bar) Suction capacity (Bar)	-0,5
Pression max. d'utilisation (Bar) Max. operating pressure (Bar)	10
Bypass intégré Integrated bypass	Yes
Tarage standard du Bypass (Bar) Standard setting of Bypass	5
Plage de température (°C) Standard operating temperature (°C)	-20 / +150
Matériau corps et stator Body and stator material	Cast iron
Matériau arbre et pales Shaft and vanes material	Hardened steel
Taille max. des particules solides (microns) Max. size of hard particles (microns)	200
Pression acoustique (dB) Acoustic pressure (dB)	60
Type d'étanchéité disponible Seal type	Mechanical seal

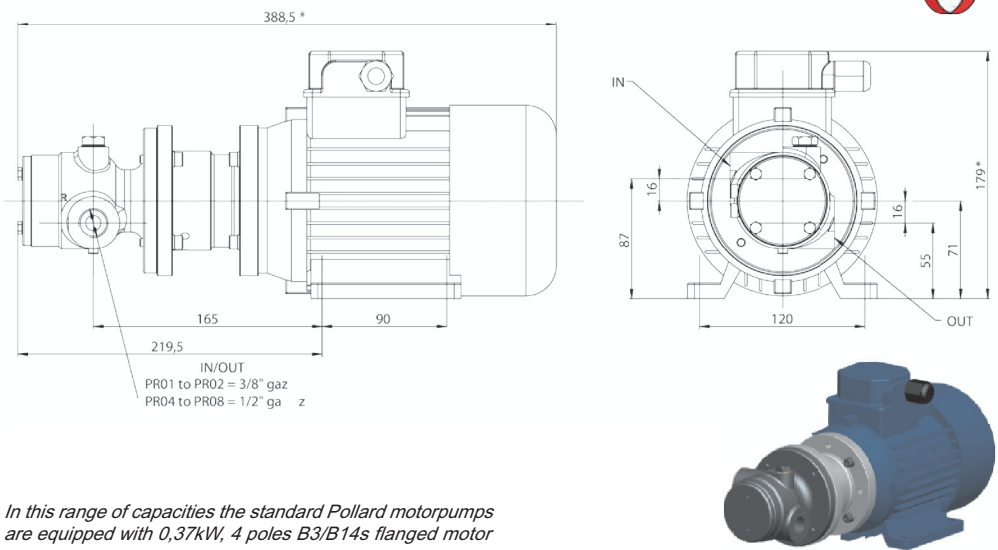
PR01 - PR02 - PR04 - PR06 - PR08



Poids / Weight : 2,9 kg

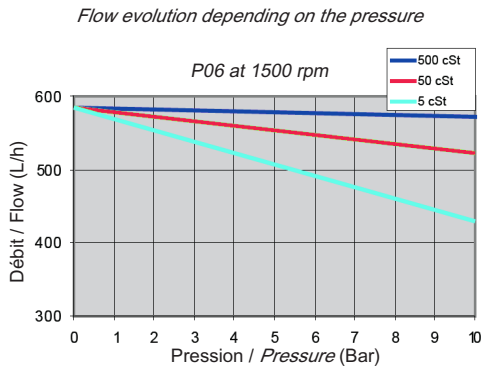
Ref.	Débit à 1500 tr/min Flow at 1500 rpm
P01 / PR01 / MP01	1,5 L/min
P02 / PR02 / MP02	3 L/min
P04 / PR04 / MP04	6 L/min
P06 / PR06 / MP06	9 L/min
P08 / PR08 / MP08	11 L/min

MP01 - MP02 - MP04 - MP06 - MP08



In this range of capacities the standard Pollard motorpumps are equipped with 0,37kW, 4 poles B3/B14s flanged motor

Dimensions / Weight : Depending on motor spec.



*Tableau de la viscosité/vitesse * Viscosity/speed ratio chart

Viscosité (cSt) Viscosity (cSt)	Vitesse max. (tr/min) Max. speed (rpm)
Visc. < 500	3000
500 < Visc. < 1000	1500
1000 < Visc. < 3000	1000
3000 < Visc. < 5000	750
5000 < Visc. < 10000	500
Visc. > 10000	200

The performance of our products depends on their installation. Please contact us for validation